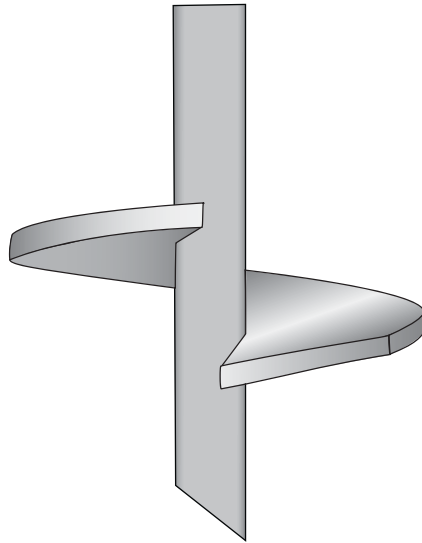




TAPL-625-10-12 -- Mid-Strength Anchor Helix



Product Specifications

Anchor Style	Power Installed Torque Anchor
Number of Helices	1
Single Helix	12" (305 mm)
Rod Diameter	5/8" (15.9 mm)
Torque Rating	6,000 ft lbs (8,136 N-M)
Square Hub	1.375" (34.9 mm)
Coating	Painted (optional Hot-Dip Galvanized)
Standard Package	25
Standard Package Unit	Each
Min Order Qty	1
Weight/Ea	16 lbs

Notes

Mid-Strength Anchor Helix; 6,000 ft lbs (8,136 N-M), 12" (305 mm) Helix for use with 5/8" (15.9 mm) rod