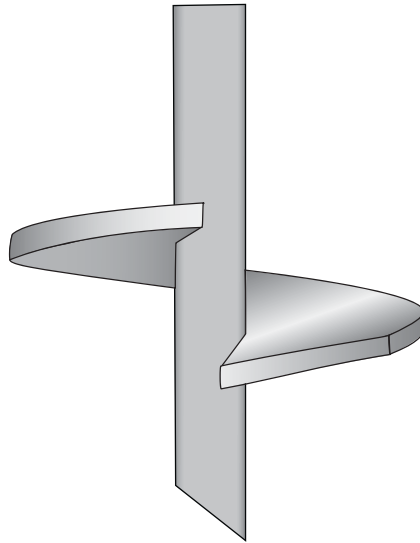




TAPL-100-10-8 -- Mid-Strength Anchor Helix



Product Specifications

Anchor Style	Power Installed Torque Anchor
Number of Helices	1
Single Helix	8" (203 mm)
Rod Diameter	3/4"(19.1 mm) or 1" (25.4 mm)
Torque Rating	6,000 ft lbs (8,136 N-M)
Square Hub	1.375" (34.9 mm)
Coating	Painted (optional Hot-Dip Galvanized)
Standard Package	25
Standard Package Unit	Each
Min Order Qty	1
Weight/Ea	10 lbs

Notes

Mid-Strength Anchor Helix; 6,000 ft lbs (8,136 N-M), 8" (203 mm) Helix for use with 3/4"(19.1 mm) or 1" (25.4 mm) rod