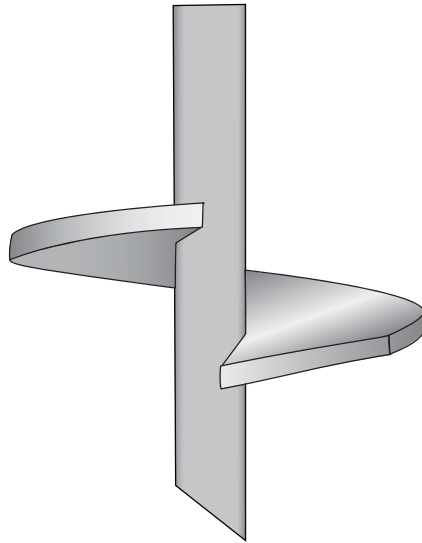




## TAP-625-10-8 -- High-Strength Anchor Helix



### Product Specifications

Anchor Style	Power Installed Torque Anchor
Number of Helices	1
Single Helix	8" (203 mm)
Rod Diameter	5/8" (15.9 mm)
Torque Rating	7,000 ft lbs (9,492 N-M)
Square Hub	1.5" (38.1 mm)
Coating	Painted (optional Hot-Dip Galvanized)
Standard Package	25
Standard Package Unit	Each
Min Order Qty	1
Weight/Ea	12 lbs

### Notes

High-Strength Anchor Helix; 7,000 ft lbs (9,492 N-M), 8" (203 mm) Helix for use with 5/8" (15.9 mm) rod