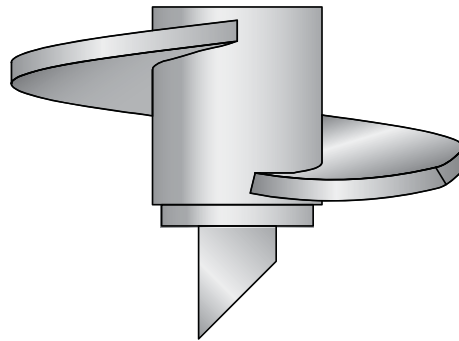




HTAX-250-625 (14) -- Heavy Torque Anchor Extreme Helix



Product Specifications

| | |
|-----------------------|---------------------------------------|
| Anchor Style | Power Installed Torque Anchor |
| Number of Helices | 1 |
| Single Helix | 14" (356 mm) x 1/2" (12.7mm) |
| Rod Diameter | 5/8" (15.9 mm) |
| Torque Rating | 15,000 ft lbs (20,340 N-M) |
| Square Hub | 2.5" (63.5 mm) |
| Coating | Painted (optional Hot-Dip Galvanized) |
| Standard Package | 25 |
| Standard Package Unit | Each |
| Min Order Qty | 1 |
| Weight/Ea | 33 lbs |

Notes

Heavy Torque Anchor Extreme Helix; 15,000 ft lbs (20,340 N-M), 14" (356 mm) x 1/2" (12.7mm) Helix for use with 5/8" (15.9 mm) rod