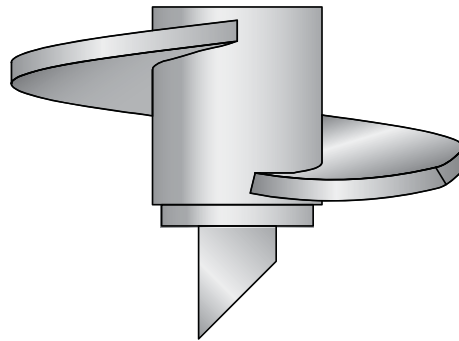




HTAX-250-100 (8) -- Heavy Torque Anchor Extreme Helix



Product Specifications

| | |
|-----------------------|---------------------------------------|
| Anchor Style | Power Installed Torque Anchor |
| Number of Helices | 1 |
| Single Helix | 8" (203 mm) x 1/2" (12.7mm) |
| Rod Diameter | 3/4" (19.1 mm) or 1" (25.4 mm) |
| Torque Rating | 15,000 ft lbs (20,340 N-M) |
| Square Hub | 2.5" (63.5 mm) |
| Coating | Painted (optional Hot-Dip Galvanized) |
| Standard Package | 25 |
| Standard Package Unit | Each |
| Min Order Qty | 1 |
| Weight/Ea | 23 lbs |

Notes

Heavy Torque Anchor Extreme Helix; 15,000 ft lbs (20,340 N-M), 8" (203 mm) x 1/2" (12.7mm) Helix for use with 3/4" (19.1 mm) or 1" (25.4 mm) rod