



**UTILITY**

Earth Contact Products, L.L.C., is a privately owned company based in Olathe, Ks. The company started in 1998 based upon the foundation construction and repair industries, manufacturing helical piles and anchors. Our product lines have grown to resistance piers, cross plate anchors and now the utility anchors.

Today, ECP Utility has a complete line of guying and pipeline anchors. These products provide our customers "The Very Best" solutions to their piercing and anchors needs.

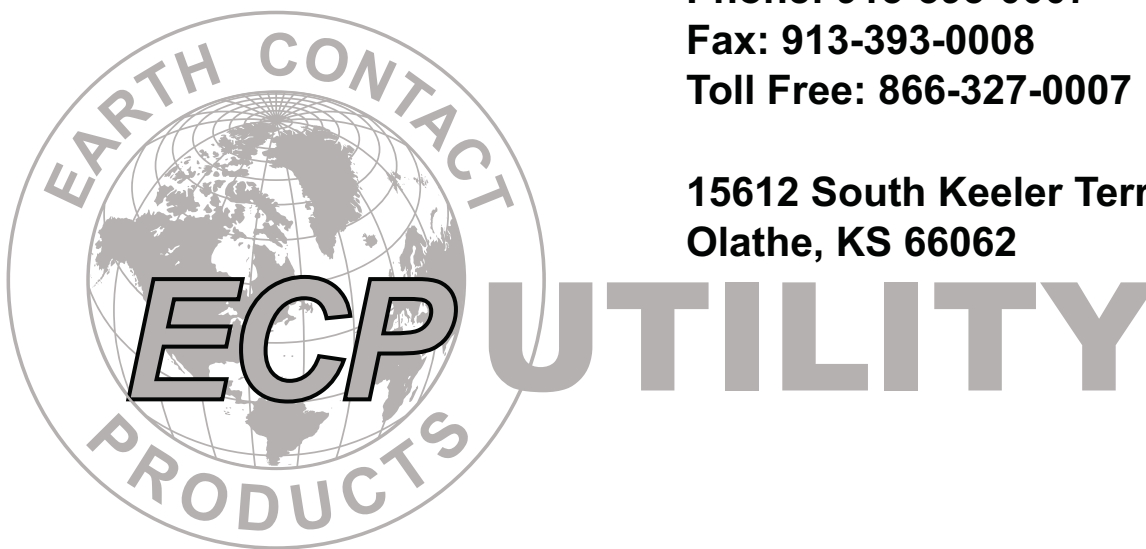
Our modern fabrication facility is 85,000 square feet, with robotic welding, NC and CNC controlled equipment along with certified welders, enable ECP Utility to fabricate custom products to fit engineer specific products throughout the utility market.



ECP Utility's customer service and engineering support and on-time delivery has created new standard within our industry. Call today to see why the utility industry is now using ECP Utility products.

**ECP Utility**  
**Phone: 913-393-0007**  
**Fax: 913-393-0008**  
**Toll Free: 866-327-0007**

**15612 South Keeler Terrace**  
**Olathe, KS 66062**



**"Designed and Engineered to Perform"**  
**www.ecputility.com 1-866-327-0007**

### 1-1/2" 60,000# Tension Helical Anchors

Part #	Size	Length	# Helix	Helix Diameter
Leads				
TAF-150-60 (8,10)	1-1/2"	60"	2	8",10"
TAF-150-60 (10,12)	1-1/2"	60"	2	10",12"
TAF-150-84 (8,10,12)	1-1/2"	84"	3	8",10",12"
TAF-150-84 (10,12,14)	1-1/2"	84"	3	10",12",14"

### 1-3/4" 100,000# Tension Helical Anchors

Part #	Size	Length	# Helix	Helix Diameter
Leads				
TAF-175-60 (8,10)	1-3/4"	60"	2	8",10"
TAF-175-60 (10,12)	1-3/4"	60"	2	10",12"
TAF-175-84 (8,10,12)	1-3/4"	84"	3	8",10",12"
TAF-175-84 (10,12,14)	1-3/4"	84"	3	10",12",14"

### 2-1/4" 200,000# Tension Helical Anchors

Part #	Size	Length	# Helix	Helix Diameter
Leads				
TAF-225-60 (8,10)	1-3/4"	60"	2	8",10"
TAF-225-60 (10,12)	1-3/4"	60"	2	10",12"
TAF-225-84 (8,10,12)	1-3/4"	84"	3	8",10",12"
TAF-225-84 (10,12,14)	1-3/4"	84"	3	10",12",14"

### 1-1/2" Helical Extensions

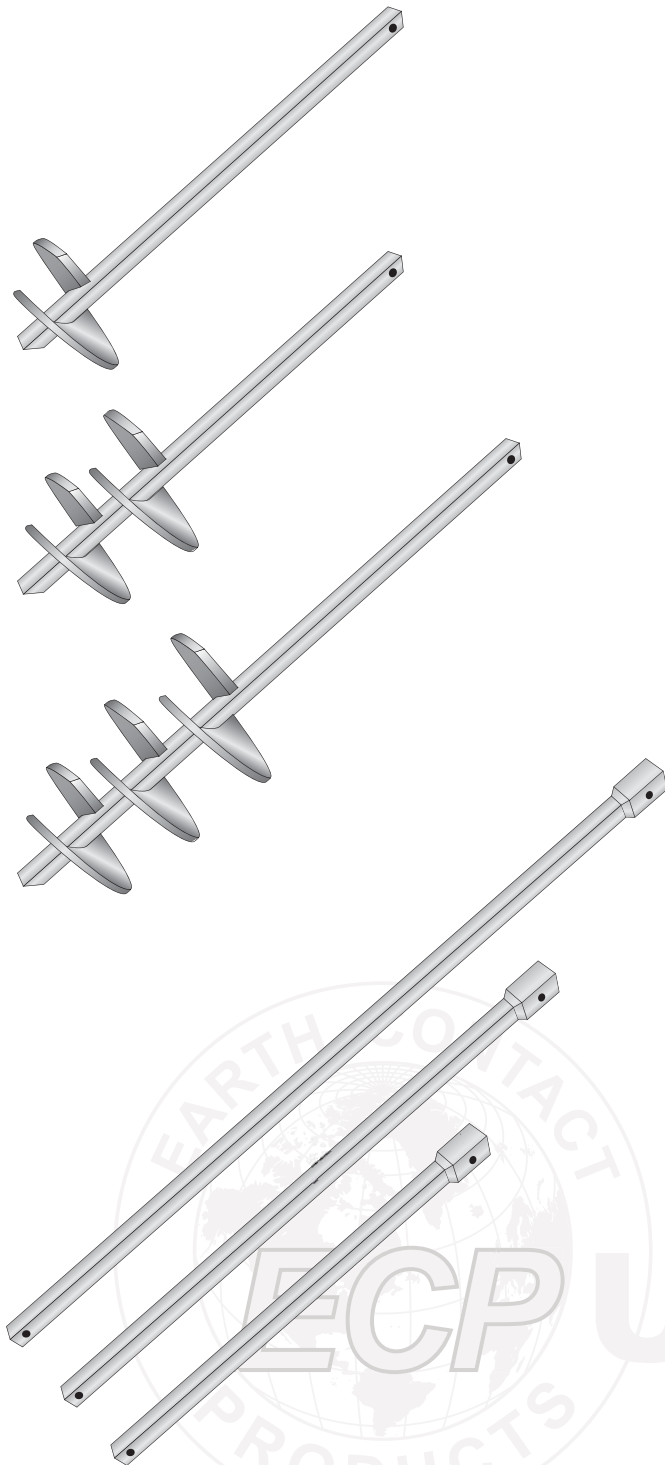
Part #	Size	Length	# Helix	Helix Diameter
Extensions				
TAE-150-36	1-1/2"	36"	0	NA
TAE-150-60	1-1/2"	60"	0	NA
TAE-150-84	1-1/2"	84"	0	NA
TAE-150-36 (14)	1-1/2"	36"	1	14"
TAE-150-60 (14)	1-1/2"	60"	1	14"
TAE-150-60 (12,14)	1-1/2"	60"	2	12",14"

### 1-3/4" Helical Extensions

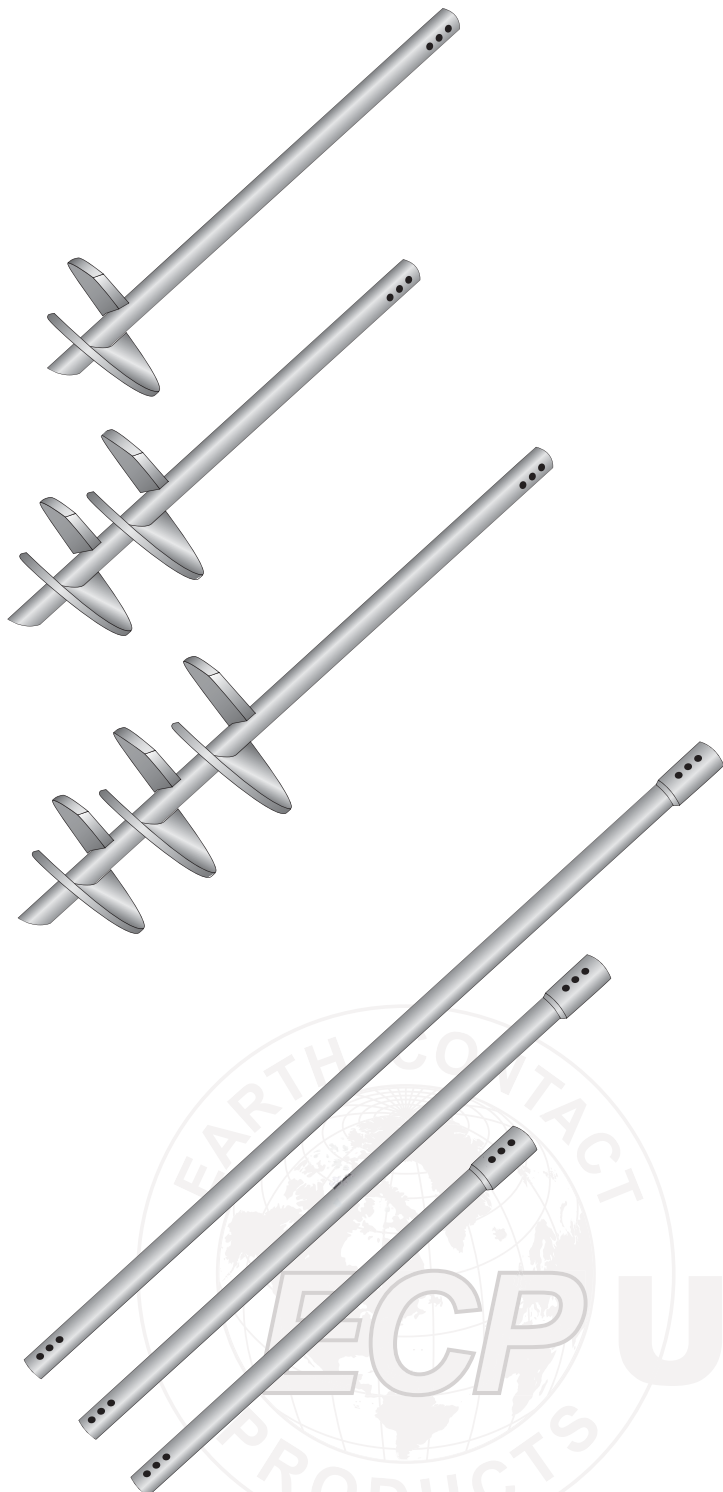
Part #	Size	Length	# Helix	Helix Diameter
Extensions				
TAE-175-36	1-3/4"	36"	0	NA
TAE-175-60	1-3/4"	60"	0	NA
TAE-175-84	1-3/4"	84"	0	NA
TAE-175-36 (14)	1-3/4"	36"	1	14"
TAE-175-60 (14)	1-3/4"	60"	1	14"
TAE-175-60 (12,14)	1-3/4"	60"	2	12",14"

### 2-1/4" Helical Extensions

Part #	Size	Length	# Helix	Helix Diameter
Extensions				
TAE-225-36	1-3/4"	36"	0	NA
TAE-225-60	1-3/4"	60"	0	NA
TAE-225-84	1-3/4"	84"	0	NA
TAE-225-36 (14)	1-3/4"	36"	1	14"
TAE-225-60 (14)	1-3/4"	60"	1	14"
TAE-225-60 (12,14)	1-3/4"	60"	2	12",14"



**"Designed and Engineered to Perform"**  
**www.ecputility.com 1-866-327-0007**



### 2-7/8" 100,000# Compression Helical

Part #	Size	Length	# Helix	Helix Diameter
Leads				
TAF-288-60 (12)	2-7/8"	60"	1	12"
TAF-288-60 (8,10)	2-7/8"	60"	2	8",10"
TAF-288-60 (10,12)	2-7/8"	60"	2	10",12"
TAF-288-84 (10,12)	2-7/8"	84"	2	10",12"
TAF-288-84 (12,14)	2-7/8"	84"	2	12",14"
TAF-288-84 (8,10,12)	2-7/8"	84"	3	8",10",12"
TAF-288-84 (10,12,14)	2-7/8"	84"	3	10",12",14"

### 3-1/2" 115,000# Compression Helical Piles

Part #	Size	Length	# Helix	Helix Diameter
Leads				
TAF-350-60 (12)	3-1/2"	60"	1	12"
TAF-350-60 (8,10)	3-1/2"	60"	2	8",10"
TAF-350-60 (10,12)	3-1/2"	60"	2	10",12"
TAF-350-84 (10,12)	3-1/2"	84"	2	10",12"
TAF-350-84 (12,14)	3-1/2"	84"	2	12",14"
TAF-350-84 (8,10,12)	3-1/2"	84"	3	8",10",12"
TAF-350-84 (10,12,14)	3-1/2"	84"	3	10",12",14"

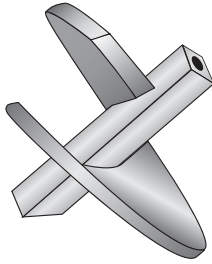
### 2-7/8" Helical Extensions

Part #	Size	Length	# Helix	Helix Diameter
Extensions				
TAE-288-36	2-7/8"	36"	0	NA
TAE-288-60	2-7/8"	60"	0	NA
TAE-288-84	2-7/8"	84"	0	NA
TAE-288-36 (14)	2-7/8"	36"	1	14"
TAE-288-60 (14)	2-7/8"	60"	1	14"
TAE-288-60 (12,14)	2-7/8"	60"	2	12",14"

### 3-1/2" Helical Extensions

Part #	Size	Length	# Helix	Helix Diameter
Extensions				
TAE-350-36	3-1/2"	36"	0	NA
TAE-350-60	3-1/2"	60"	0	NA
TAE-350-84	3-1/2"	84"	0	NA
TAE-350-36 (14)	3-1/2"	36"	1	14"
TAE-350-60 (14)	3-1/2"	60"	1	14"
TAE-350-60 (12,14)	3-1/2"	60"	2	12",14"

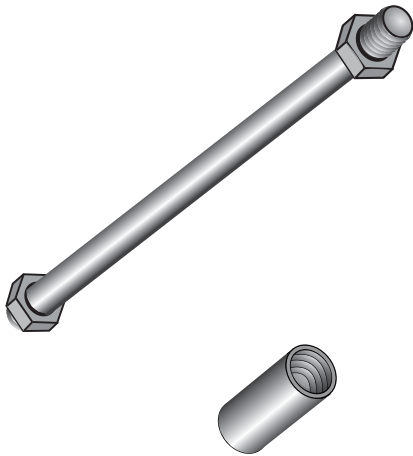
**"Designed and Engineered to Perform"**  
**www.ecputility.com 1-866-327-0007**



### Helical Power Anchor

Part #	Size	Flight	Weight
5/8" Anchor Rods			
TAP-625-10 (6)	1-1/2"	6"	10
TAP-625-10 (8)	1-1/2"	8"	12
TAP-625-10 (10)	1-1/2"	10"	14
TAP-625-10 (12)	1-1/2"	12"	18

Part #	Size	Flight	Weight
3/4" - 1" Anchor Rods			
TAP-750-10 (6)	1-1/2"	6"	10
TAP-750-10 (8)	1-1/2"	8"	12
TAP-750-10 (10)	1-1/2"	10"	14
TAP-750-10 (12)	1-1/2"	12"	18



### Power Anchor Rods

Part #	Size	Tensile	Weight
5/8" Anchor Rods			
TAR-625-36	5/8"	16,000#	1
TAR-625-84	5/8"	16,000#	1.8

Part #	Size	Tensile	Weight
3/4" Anchor Rods			
TAR-750-36	3/4"	23,000#	1
TAR-750-84	3/4"	23,000#	1.8

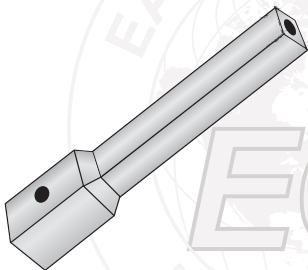
Part #	Size	Tensile	Weight
1" Anchor Rods			
TAR-100-36	1"	36,000#	1
TAR-100-84	1"	36,000#	1.8

### Rod Couplers

Part #	Size	Desc.	Weight
TAC-625	5/8"	Coupler	0.5
TAC-750	3/4"-1"	Coupler	0.5

### Thread Bar Adapters

Part #	Size	Desc.	Weight
TAT-150-HD	1-1/2"	#8 Will.	9
TAT-175-HD	1-3/4"	#10 Will.	11



**“Designed and Engineered to Perform”**  
**www.ecputility.com 1-866-327-0007**

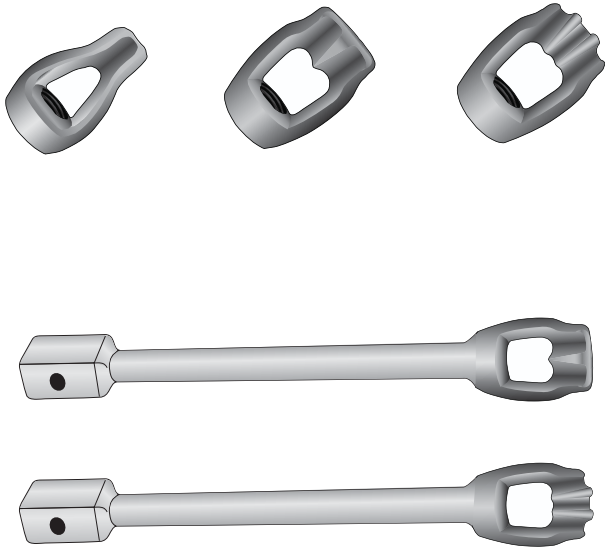
### Guy Wire Nuts

Part #	Size	Desc.	Weight
For 5/8" Anchor Rods			
TAN-625-001	5/8"	Single Eye	1
TAN-625-002	5/8"	Double Eye	1.8
TAN-625-003	5/8"	Triple Eye	2.2

Part #	Size	Desc.	Weight
For 3/4" & 1" Anchor Rods			
TAN-750-001	3/4"-1"	Single Eye	1.9
TAN-750-002	3/4"-1"	Double Eye	1.8
TAN-750-003	3/4"-1"	Triple Eye	2.2

### Guy Wire Adapters

Part #	Size	Desc.	Weight
TAA-150-002	1-1/2"	Double Eye	9.5
TAA-150-003	1-1/2"	Triple Eye	9.5



### Capacities of ECP Helical Torque Anchors™

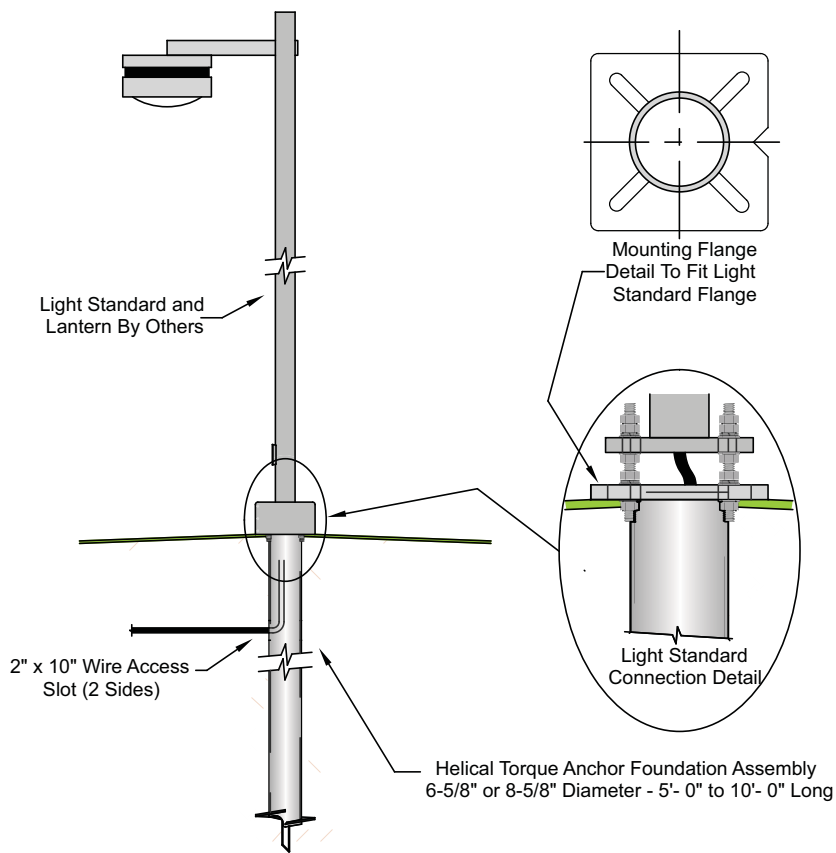
Shaft Size	Installation Torque Factor (k)	Axial Compression Load Limit	Ultimate Tension Strength	Useable Torsional Strength	Practical Load Limit Based Torsional Strength
1-1/2" Square Bar	9 - 11	40,000 lb.	60,000 lb.	5,500 ft-lb	50,000 lb
1-3/4" Square Bar	9 - 11	100,000 lb.	100,000 lb.	11,000 ft-lb	110,000 lb
2-1/4" Square Bar	10 - 12	200,000 lb.	200,000 lb.	23,000 ft-lb	200,000 lb
2-7/8" Tubular – 0.262" Wall	8 - 9	100,000 lb.	100,000 lb.	9,500 ft-lb	80,000 lb
3-1/2" Tubular – 0.300" Wall	7 - 8	115,000 lb.	120,000 lb.	13,000 ft-lb	97,000 lb

#### IMPORTANT NOTE:

The capacities listed in Table 2 for Axial Compression, Tension and Torsion are mechanical ratings. One must understand that the actual installed load capacities for the product are dependent upon the actual soil conditions on a specific job site. The shaft "Useable Torsional Strengths" given here are the maximum values that should be applied to the product. Furthermore, these torsional ratings assume homogeneous soil conditions and proper alignment of the drive motor to the shaft. In homogeneous soils it might be possible to achieve up to 95% of the "Useable Torsional Strength" shown in Table 2. In obstruction-laden soils, spikes in the torsion applied to the shaft may cause impact fractures of the couplings or other components. Where impact loading is expected, reduce shaft torsion by 30% or more from the "Useable Torsional Strength" depending upon soil conditions at the site. Another advantage of selecting a torsional rating significantly below the values shown in Table 2 is that one may be able to drive the pile slightly deeper after the torsional requirements have been met, thus eliminating the need to cut the pile shaft in the field.

*The designer should select a product that provides adequate additional torsional capacity for the specific project and soil conditions.*

**"Designed and Engineered to Perform"**  
**www.ecputility.com 1-866-327-0007**



Light Pole Support Torque Anchors™			
Torque Anchor™ Configuration	Part Number	Load Capacity – SPT > 5 bpf	
		Overturning Moment	Lateral Load
6-5/8" Dia. x 0.280" Wall & 14" Helix – 7'- 0" Long	HTAF-663-84 14	< 12,000 ft-lb	< 1,000 lb
8-5/8" Dia. x 0.250" Wall & 14" Helix – 7'- 0" Long	HTAF-863-84 14	< 17,500 ft-lb	< 1,200 lb

**Note:** Integral Pile Cap is 1" Thick x 15-3/4" Square Pile Cap Welded to Shaft With Slots for 1" Diameter Mounting Bolts  
 2" x 10" Cable Access Slot Provided on Both Sides of Shaft  
 Double Cut Chamfer on Bottom of Shaft Aligns Pile and Eases Installation  
 We Will Fabricate Custom Light Pole Supports to Your Design Specifications – Allow Extra Time For Processing.  
 Other Shaft Lengths are Available to Meet Your Engineering Specifications  
 Product Supplied Hot Dip Galvanized Per ASTM A123 Grade 100.

\*The products shown shaded are available but are not stocked – allow extra time for fabrication

**“Designed and Engineered to Perform”**  
**www.ecputility.com 1-866-327-0007**



**“Designed and Engineered to Perform”**  
**[www.ecputility.com](http://www.ecputility.com) 1-866-327-0007**

**Brochure #8U0109**